

DIMETIX

LASER DISTANCE SENSORS



D-Series

New features

 SWISS PRECISION

9100 Herisau/Switzerland • www.dimetix.com

What is new?

- Housing
- Performance
 - Speed (250Hz, 1kHz)
 - Range on natural target
 - Temperature range
- Interfaces
 - Digital IO (Push-Pull)
 - Industrial Ethernet
- Power



Housing

- New design
- Reduced weight
 - C - Series: 690g
(heating: 720g)
 - D - Series: 350g
- Adjustment aid



Housing

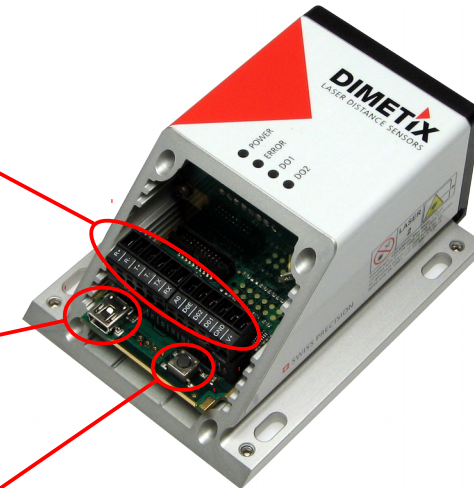
- Exchangeable cover
- Multiple connection



**RS-232 / RS-422 / SSI
AO / DO / DI**

USB

Reset



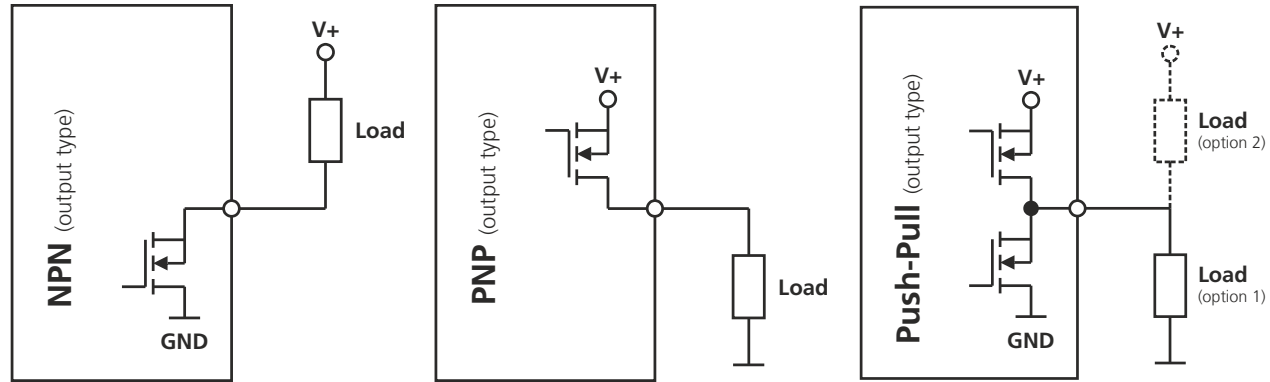
Performance

- Speed
 - 250 Hz for jumping targets
 - 1 kHz output rate
- Natural target
 - Measure concrete up to 130m without reflector
- Temperature range
 - Up to 60°C

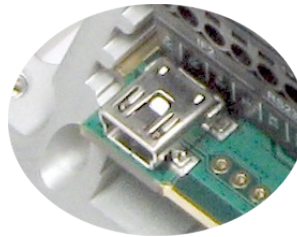


New interfaces

- Digital output
 - Push-Pull



- USB



- Industrial Ethernet



Changes in power requirements

C-Series

- 9 .. 30 V DC
- 24 .. 30 V DC (heating)

- 0.6 A @ 24 V DC
- 2.5 A @ 24 V DC (heating)

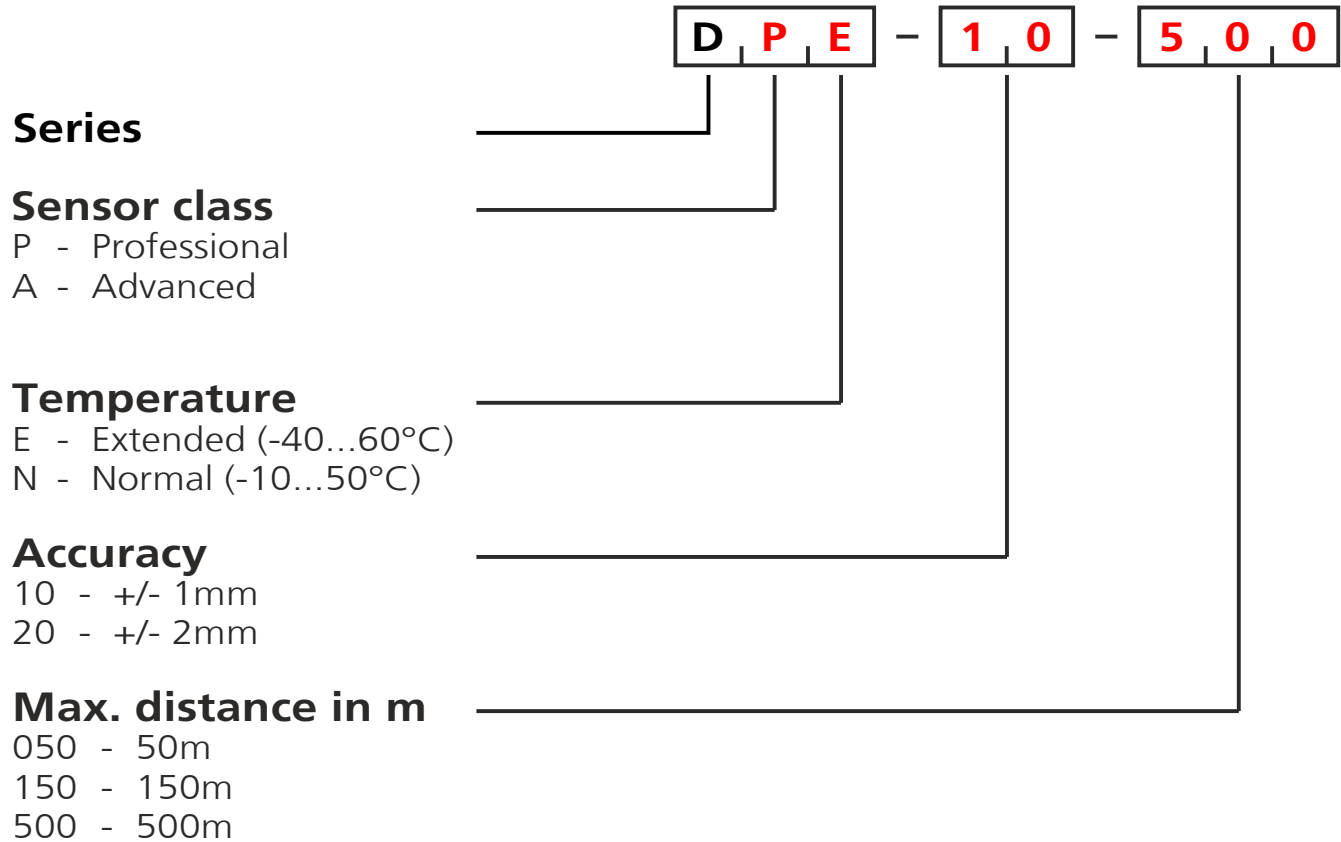
D-Series

- 12 .. 30 V DC
- 12 .. 30 V DC (heating)

- 0.15 A @ 24 V DC
- 0.5 A @ 24 V DC (heating)



Type marking



Which Series should you sell?

C-Series

- Certificated applications
- Special fixtures
- Existing solution

D-Series

- Fast measurements
- High temperatures
- New projects
- Industrial Ethernet



Which new applications can you target?

- Positioning applications
 - Crane positioning
 - Automatic warehouse
- Industrial Ethernet needed
- Higher temperatures needed
 - Cranes with high temperatures under the roof
 - Applications in areas with high outside temperatures

