

# RS-422 Connection cable DLS/FLS

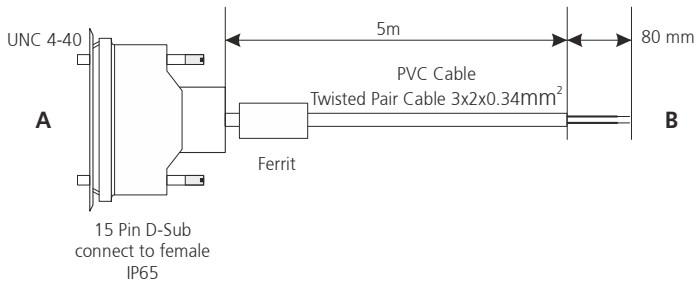
Part No. 500203



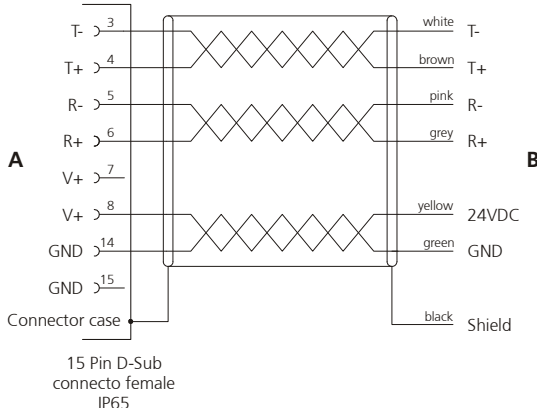
Cable for connecting a DLS/FLS Laser Distance Sensor to an RS-422 input and power supply.

Do not use for devices with the heater!

## Overview



## Wiring diagram



## Order information

| Part No.   | Description  |
|------------|--|
| 500203     | RS-422 Connection cable DLS/FLS<br>length = 5m, with 15 pin connector IP65                                       |
| 500203/XXX | RS-422 Connection cable - special length<br>Length = XXX m, with 15 pin connector IP65<br>applicable for DLS/FLS |

