

AO/DO Connection cable

Part No. 500202

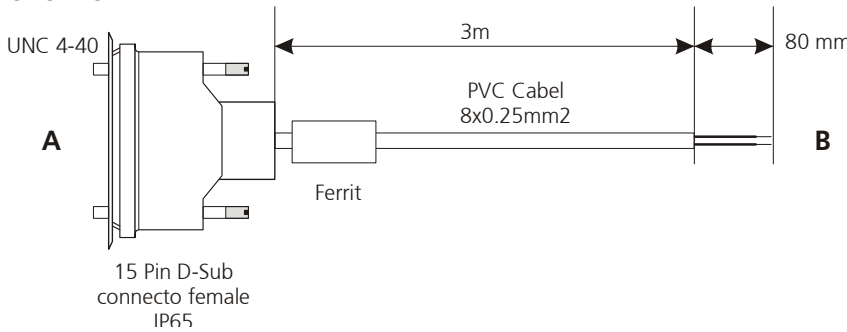


Cable for connecting a DLS/FLS Distance Laser Sensor using the automatic mode.

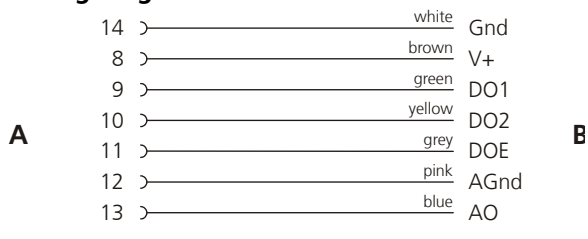
The power supply, the analog output and the 3 digital outputs can be connected with this cable.

Do not use for devices with the heater!

Overview



Wiring diagram



15 Pin D-Sub
connecto female
IP65

Order information

Part No.	Description
500202	AO/DO Connection cable Length = 3m, with 15 pin connector IP65 applicable for DLS/FLS

